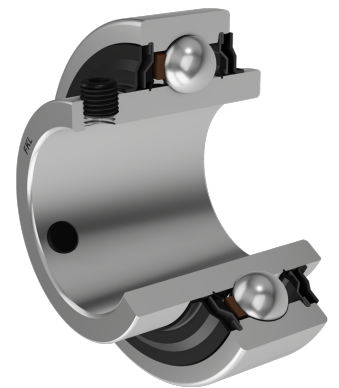
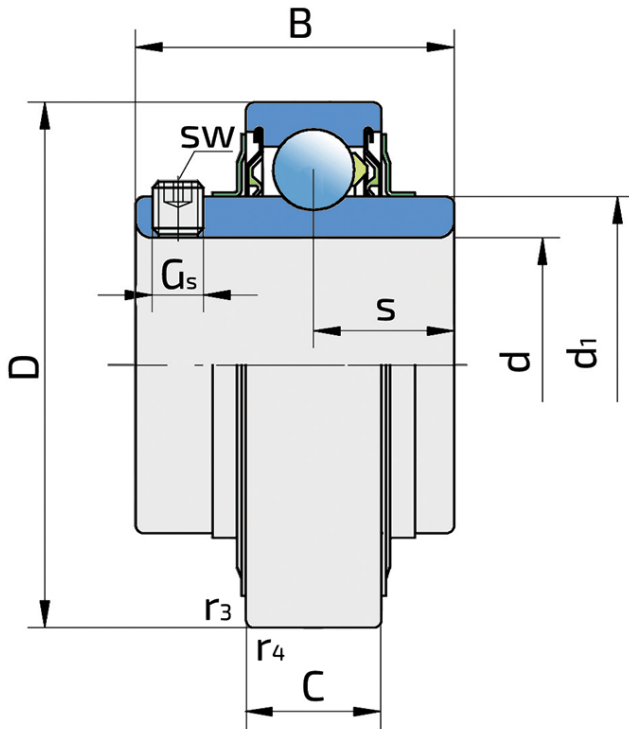
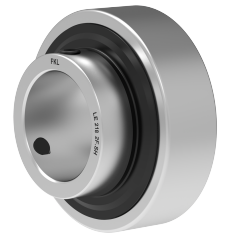


# Y-Ball Bearings With Grub Screw Locking

## LE 218 2F.SH

Y-Ball Bearings With Grub Screw Locking



### Technical Specification

d	Bore diameter	90 mm
D	Outside diameter	160 mm
B	Width inner ring	89 mm
C	Width outer ring	36 mm
s	Distance from inner ring side face to raceway centre	35 mm
d1	Outer diameter inner ring	112.5 mm
E	Distance from raceway centre to the hole for lubrication	10 mm
Gs	Set screw	M12x1.6 mm
sw	Hexagonal key size for set screw	6 mm
r1,2	Inner ring Chamfer dimension	2 mm
r3,4	Outside ring Chamfer dimension	2.5 mm
Cdyn	Dynamic load rating	95.6 kN
Co	Static load rating	72 kN
Pu	Fatigue load limit	2.7 kN
kg	Mass	4.1 kg

## Sealing

---

### F SEAL / F SEAL (2F)

Dual sealing, protection cover placed on the inner ring protects against rough impurity particles and makes the labyrinth with the sheet part of the seal; then the sealing S type,

with the labyrinth between the sheet part and the rubber lip that conducts the contact sealing. The friction and speeds are the same as with S but has much better protection

against rough impurity particles. It is very good sealing system: the sheet part protects the seal from the soil, dust and

rough particles. At the same time makes the labyrinth with the rubber part. The rubber part provides the contact sealing that prevents the penetration of the finer impurities, water, moisture, steam etc. Suitable for heavier conditions due to better protection against foreign matters. It is used with the Y bearings (standard).

