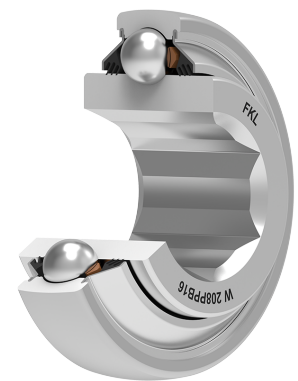
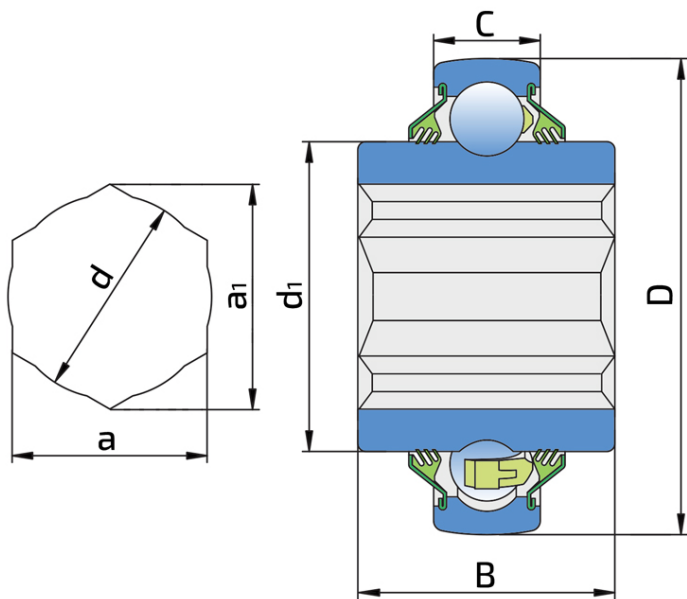


# Hexagonal Bore Series With Spherical Outer Ring

## W 208PPB16

Hexagonal Bore Series With Spherical Outer Ring  
Harvester



### Technical Specification

D	Outside diameter	3.1496 inch
D	Outside diameter	80 mm
C	Width outer ring	0.709 inch
C	Width outer ring	18 mm
d	Bore diameter	1.28 inch
d	Bore diameter	32.5 mm
d1	Outer diameter inner ring	2.047 inch
d1	Outer diameter inner ring	52 mm
B	Width inner ring	1.437 inch
B	Width inner ring	36.5 mm
a	Hexagonal bore	1.251 inch
a	Hexagonal bore	31.78 mm
a	Shaft size	1 1/4 inch
a1	Diagonal of the hexagon	1.44 inch
a1	Diagonal of the hexagon	36.6 mm
kg	Mass	0.67 kg
C <sub>dyn</sub>	Dynamic load rating	30.7 kN
C <sub>o</sub>	Static load rating	19 kN
P <sub>u</sub>	Fatigue load limit	0.8 kN

## Sealing

---

### T SEAL / T SEAL (2T)

3-lip seal on the both side of the bearing, provides equal protection against contamination. Recommended for application where the possibility of contamination is the same on the both side.

