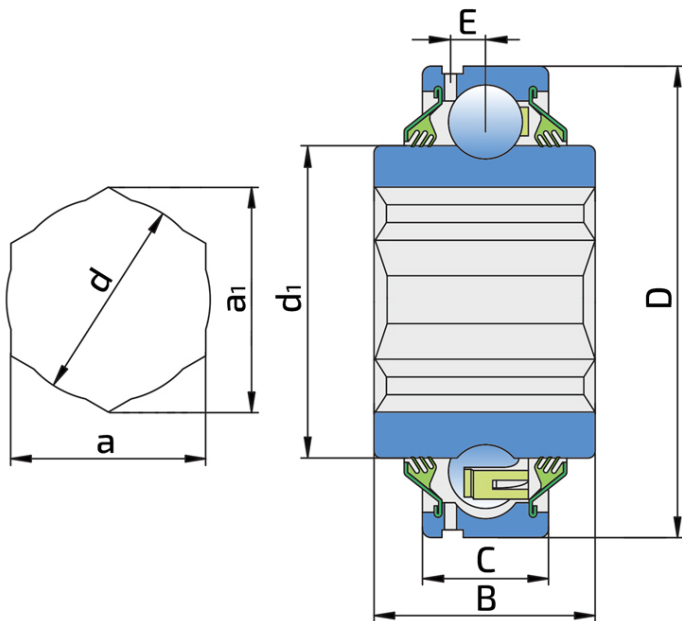


Hexagonal Bore Series With Cylindrical Outer Ring - Relubricable Type

G207 KPP3 AH16

Hexagonal Bore Series With Cylindrical Outer Ring - Relubricable Type
Harvester



Technical Specification

D	Outside diameter	72 mm
D	Outside diameter	2.8346 inch
C	Width outer ring	19 mm
C	Width outer ring	0.748 inch
d	Bore diameter	32.5 mm
d	Bore diameter	1.28 inch
d1	Outer diameter inner ring	46.1 mm
d1	Outer diameter inner ring	1.815 inch
B	Width inner ring	38 mm
B	Width inner ring	1.496 inch
a	Hexagonal bore	31.78 mm
a	Hexagonal bore	1.251 inch
a1	Diagonal of the hexagon	36.46 mm
E	Distance from raceway centre to the hole for lubrication	5.3 mm
E	Distance from raceway centre to the hole for lubrication	0.21 inch
kg	Mass	0.65 kg
Cdyn	Dynamic load rating	25.5 kN

Co	Static load rating	15.3 kN
Pu	Fatigue load limit	0.64 kN

Sealing

T SEAL / T SEAL (2T)

3-lip seal on the both side of the bearing, provides equal protection against contamination. Recommended for application where the possibility of contamination is the same on the both side.

