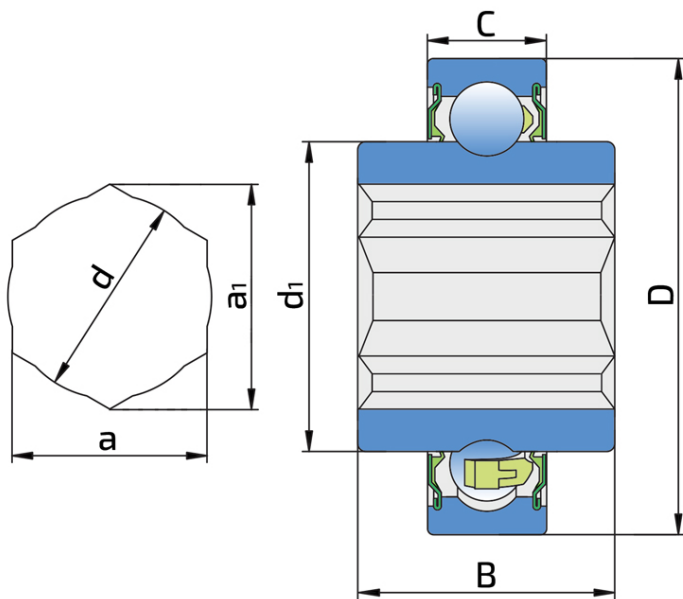


Hexagonal Bore Series With Cylindrical Outer Ring

204KRR2

Hexagonal Bore Series With Cylindrical Outer Ring
Seeding Machine



Technical Specification

a	Hexagonal bore	0.6949 inch
a	Hexagonal bore	17.65 mm
a	Shaft size	11/16 inch
a1	Diagonal of the hexagon	0.797 inch
a1	Diagonal of the hexagon	20.24 mm
D	Outside diameter	1.85 inch
D	Outside diameter	47 mm
B	Width inner ring	0.825 inch
B	Width inner ring	20.96 mm
C	Width outer ring	0.551 inch
C	Width outer ring	14 mm
d	Bore diameter	0.717 inch
d	Bore diameter	18.2 mm
d1	Outer diameter inner ring	1.11 inch
d1	Outer diameter inner ring	28.2 mm
kg	Mass	0.15 kg
C _{dyn}	Dynamic load rating	12.9 kN
C _o	Static load rating	6.6 kN
P _u	Fatigue load limit	0.277 kN

Sealing

S SEAL / S SEAL (2S)

Single lip seal with the labyrinth between the sheet part and the rubber lip which conducts the contact sealing. The friction and speeds are the same as with RS but provides much better protection against the rough impurity particles. This is very good sealing system: the sheet part protects the seal from the soil, dust and rough particles. At the same time makes the labyrinth with the rubber part. The rubber part provides contact sealing which prevents penetration of finer impurities, water, moisture, steam etc. Suitable for neutral conditions because of the presence of the foreign materials. It is used with the Y bearing (standard) and deep groove ball bearings.

