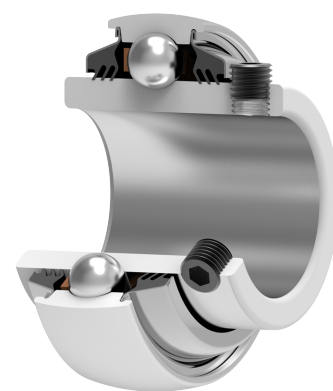
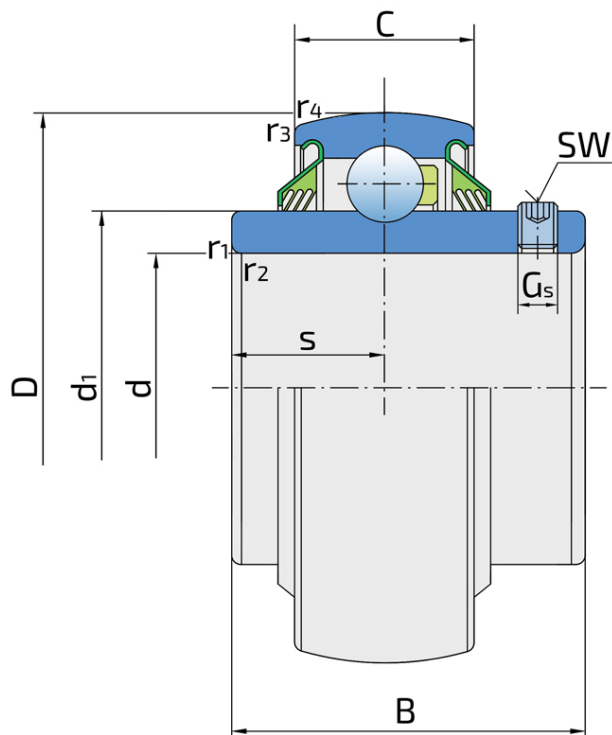


# Y-Ball Bearings With Grub Screw Locking

## LE 207 2T.H

Y-Ball Bearings With Grub Screw Locking



### Technical Specification

d	Bore diameter	35 mm
D	Outside diameter	72 mm
B	Width inner ring	42.9 mm
C	Width outer ring	19 mm
s	Distance from inner ring side face to raceway centre	17.5 mm
d1	Outer diameter inner ring	46.1 mm
E	Distance from raceway centre to the hole for lubrication	5.6 mm
Gs	Set screw	M6x0.75 mm
sw	Hexagonal key size for set screw	3 mm
r1,2	Inner ring Chamfer dimension	1 mm
r3,4	Outside ring Chamfer dimension	1 mm
Cdyn	Dynamic load rating	25.5 kN
Co	Static load rating	15.3 kN
Pu	Fatigue load limit	0.655 kN
kg	Mass	0.41 kg

## Sealing

---

### T SEAL / T SEAL (2T)

3-lip seal on the both side of the bearing, provides equal protection against contamination. Recommended for application where the possibility of contamination is the same on the both side.

