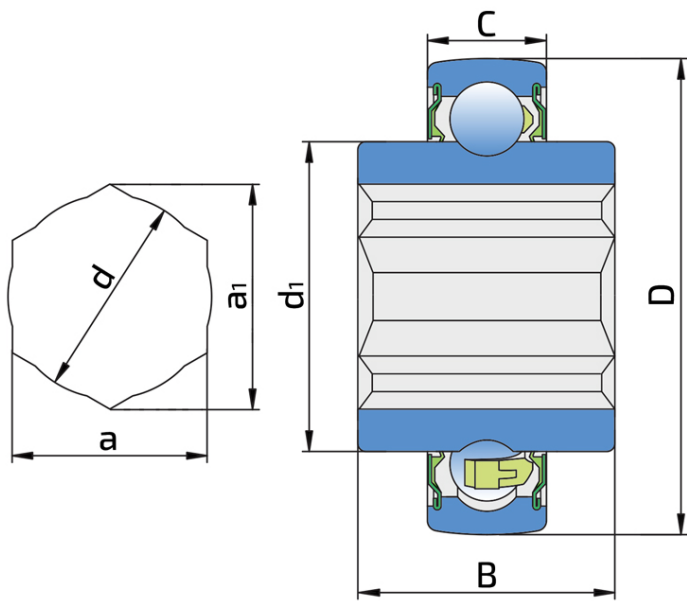


# Hexagonal Bore Series With Spherical Outer Ring

## 209KRRB2

Hexagonal Bore Series With Spherical Outer Ring



### Technical Specification

D	Outside diameter	3.3465 inch
D	Outside diameter	85 mm
B	Width inner ring	1.181 inch
B	Width inner ring	30 mm
C	Width outer ring	0.748 inch
C	Width outer ring	19 mm
d1	Outer diameter inner ring	2.236 inch
d1	Outer diameter inner ring	56.8 mm
a	Hexagonal bore	1.501 inch
a	Hexagonal bore	38.12 mm
a	Shaft size	1 1/2 inch
a1	Diagonal of the hexagon	1.73 inch
a1	Diagonal of the hexagon	43.94 mm
d	Bore diameter	1.54 inch
d	Bore diameter	39 mm
kg	Mass	0.58 kg
C <sub>dyn</sub>	Dynamic load rating	32.5 kN
C <sub>o</sub>	Static load rating	20.4 kN
P <sub>u</sub>	Fatigue load limit	0.857 kN

## Sealing

---

### S SEAL / S SEAL (2S)

Single lip seal with the labyrinth between the sheet part and the rubber lip which conducts the contact sealing. The friction and speeds are the same as with RS but provides much better protection against the rough impurity particles. This is very good sealing system: the sheet part protects the seal from the soil, dust and rough particles. At the same time makes the labyrinth with the rubber part. The rubber part provides contact sealing which prevents penetration of finer impurities, water, moisture, steam etc. Suitable for neutral conditions because of the presence of the foreign materials. It is used with the Y bearing (standard) and deep groove ball bearings.

