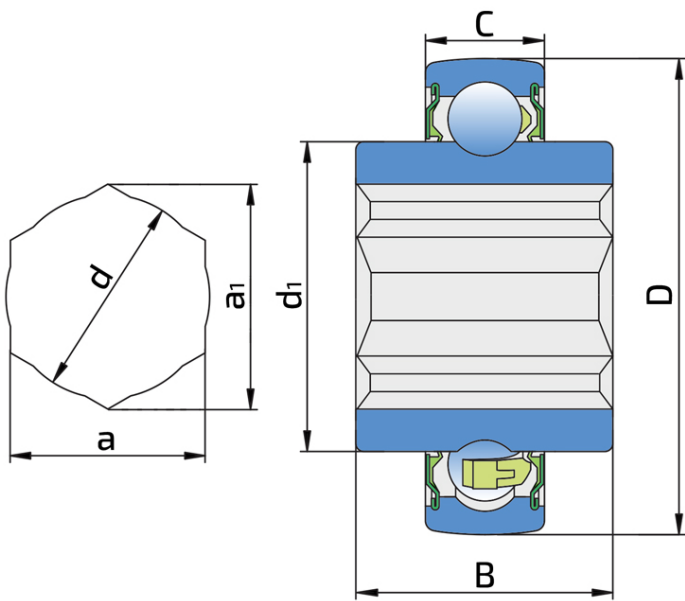


# Hexagonal Bore Series With Spherical Outer Ring

## 207KRRB12C19

Hexagonal Bore Series With Spherical Outer Ring



### Technical Specification

D	Outside diameter	2.8346 inch
D	Outside diameter	72 mm
B	Width inner ring	0.984 inch
B	Width inner ring	25 mm
C	Width outer ring	0.669 inch
C	Width outer ring	17 mm
d1	Outer diameter inner ring	1.815 inch
d1	Outer diameter inner ring	46.1 mm
a	Hexagonal bore	1.126 inch
a	Hexagonal bore	28.6 mm
a	Shaft size	1 1/8 inch
a1	Diagonal of the hexagon	1.298 inch
a1	Diagonal of the hexagon	32.97 mm
C <sub>dyn</sub>	Dynamic load rating	25.5 kN
C <sub>o</sub>	Static load rating	15.3 kN
kg	Mass	0.42 kg

## Sealing

---

### S SEAL / S SEAL (2S)

Single lip seal with the labyrinth between the sheet part and the rubber lip which conducts the contact sealing. The friction and speeds are the same as with RS but provides much better protection against the rough impurity particles. This is very good sealing system: the sheet part protects the seal from the soil, dust and rough particles. At the same time makes the labyrinth with the rubber part. The rubber part provides contact sealing which prevents penetration of finer impurities, water, moisture, steam etc. Suitable for neutral conditions because of the presence of the foreign materials. It is used with the Y bearing (standard) and deep groove ball bearings.

