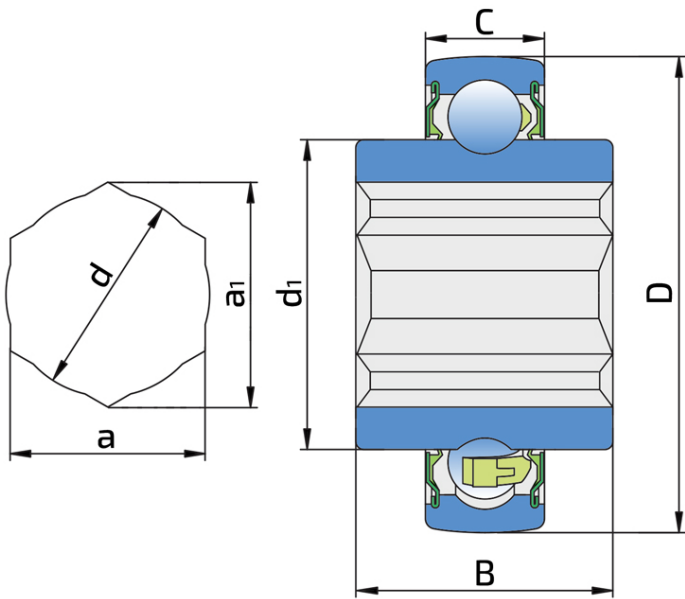


Hexagonal Bore Series With Spherical Outer Ring

206KRRB6

Hexagonal Bore Series With Spherical Outer Ring



Technical Specification

D	Outside diameter	2.4409 inch
D	Outside diameter	62 mm
B	Width inner ring	0.945 inch
B	Width inner ring	24 mm
C	Width outer ring	0.63 inch
C	Width outer ring	16 mm
d1	Outer diameter inner ring	1.563 inch
d1	Outer diameter inner ring	39.7 mm
a	Hexagonal bore	1.001 inch
a	Hexagonal bore	25.43 mm
a	Shaft size	1 inch
a1	Diagonal of the hexagon	1.152 inch
a1	Diagonal of the hexagon	29.26 mm
d	Bore diameter	1.02 inch
d	Bore diameter	26 mm
C _{dyn}	Dynamic load rating	19.5 kN
C _o	Static load rating	11.3 kN
kg	Mass	0.34 kg

Sealing

S SEAL / S SEAL (2S)

Single lip seal with the labyrinth between the sheet part and the rubber lip which conducts the contact sealing. The friction and speeds are the same as with RS but provides much better protection against the rough impurity particles. This is very good sealing system: the sheet part protects the seal from the soil, dust and rough particles. At the same time makes the labyrinth with the rubber part. The rubber part provides contact sealing which prevents penetration of finer impurities, water, moisture, steam etc. Suitable for neutral conditions because of the presence of the foreign materials. It is used with the Y bearing (standard) and deep groove ball bearings.

