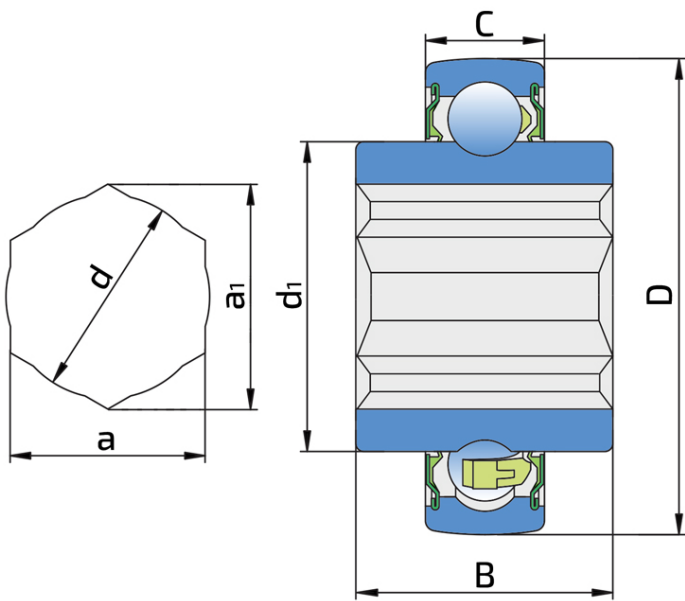


# Hexagonal Bore Series With Spherical Outer Ring

## 205KRRB2

Hexagonal Bore Series With Spherical Outer Ring



### Technical Specification

D	Outside diameter	2.0472 inch
D	Outside diameter	52 mm
B	Width inner ring	1 inch
B	Width inner ring	25.4 mm
C	Width outer ring	0.591 inch
C	Width outer ring	15 mm
d1	Outer diameter inner ring	1.329 inch
d1	Outer diameter inner ring	33.74 mm
a	Hexagonal bore	0.875 inch
a	Hexagonal bore	22.25 mm
a	Shaft size	7/8 inch
a1	Diagonal of the hexagon	1.01 inch
a1	Diagonal of the hexagon	25.65 mm
d	Bore diameter	0.898 inch
d	Bore diameter	22.8 mm
C <sub>dyn</sub>	Dynamic load rating	14 kN
C <sub>o</sub>	Static load rating	7.8 kN
kg	Mass	0.2 kg

## Sealing

---

### S SEAL / S SEAL (2S)

Single lip seal with the labyrinth between the sheet part and the rubber lip which conducts the contact sealing. The friction and speeds are the same as with RS but provides much better protection against the rough impurity particles. This is very good sealing system: the sheet part protects the seal from the soil, dust and rough particles. At the same time makes the labyrinth with the rubber part. The rubber part provides contact sealing which prevents penetration of finer impurities, water, moisture, steam etc. Suitable for neutral conditions because of the presence of the foreign materials. It is used with the Y bearing (standard) and deep groove ball bearings.

